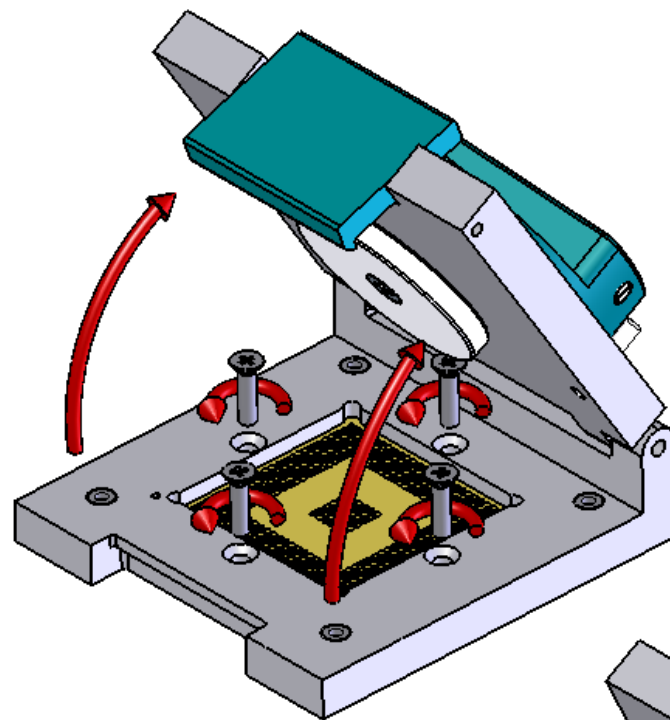
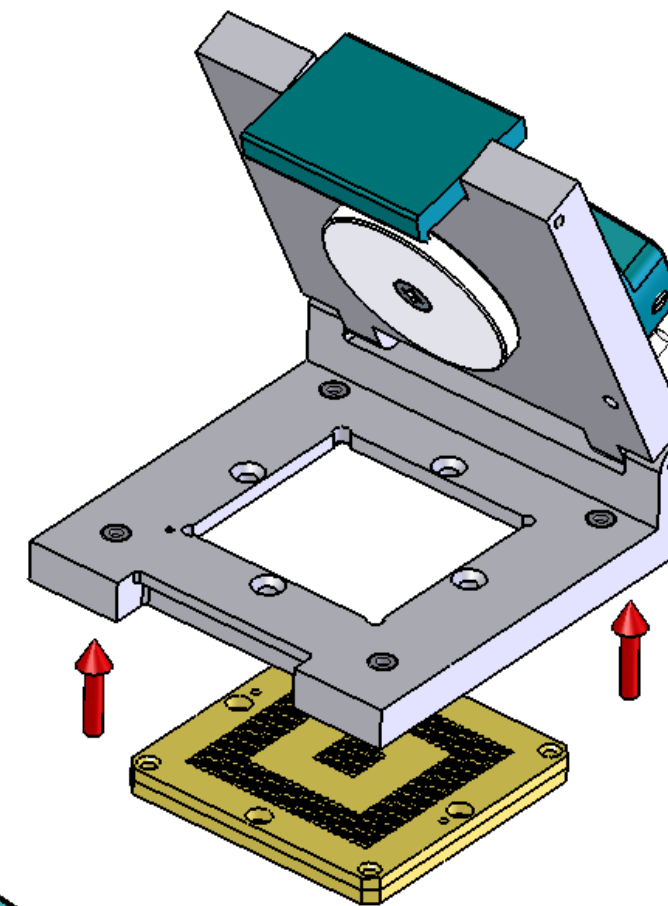


**Step 1**  
Open clamshell



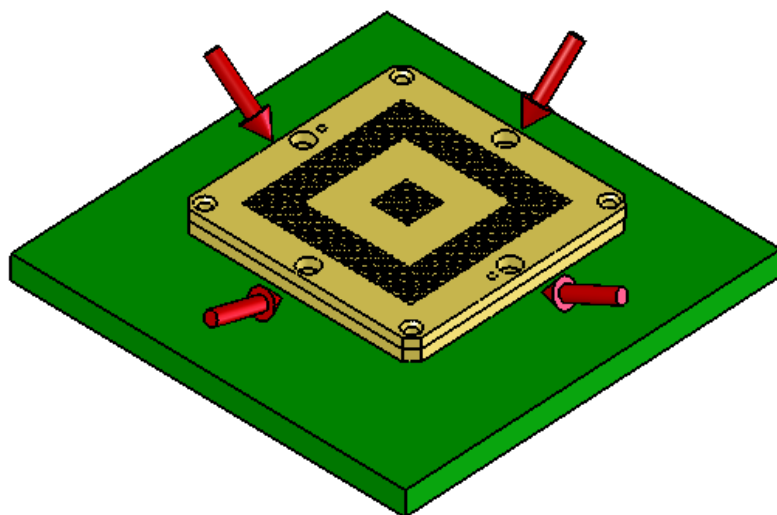
**Step 2**

Take off the four screws holding the clamshell to the socket base



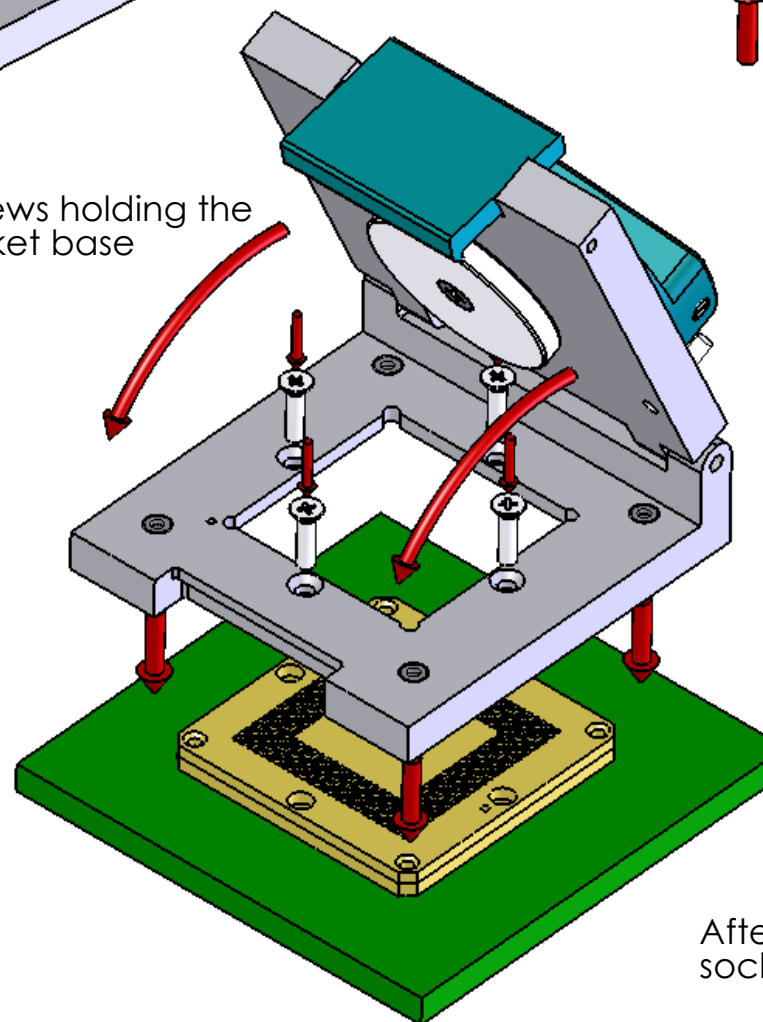
**Step 3**

Release the clamshell from the socket base




**Step 4**

Solder the socket base to the PCB



**Step 5**

After soldering, mount the clamshell to the socket base and tighten the four screws again

UNLESS OTHERWISE SPECIFIED: DIMENSIONS ARE IN MILLIMETERS SURFACE FINISH: GENERAL TOLERANCES: ± 0.10 LINEAR: ANGULAR: "top view drawing"					Remark:				
<b>Patented</b>		Visa	Date	Drawn by	Date	Visa	 <b>E-tec</b> Interconnect <a href="http://www.e-tec.com">www.e-tec.com</a>		
DRAWN		L.G	07.03.07	L.G	07.03.07				
CHK'D									
APPV'D		K.S	07.03.07	Echelle: 1.2:1					
MFG									
Q.A				MATERIAL:					
The information contained in this drawing is proprietary to Happ AG and shall not be reproduced or disclosed in whole or in part or used for any design or manufacture except where such user possesses direct, written authorization from Happ AG							WEIGHT:		
							TITLE:		
							Recommendation for soldering SMT clamshell sockets to the PCB		A3H
							Clamshell		0
							instruction soudure étape0		Revision
							SHEET 1 OF 1		