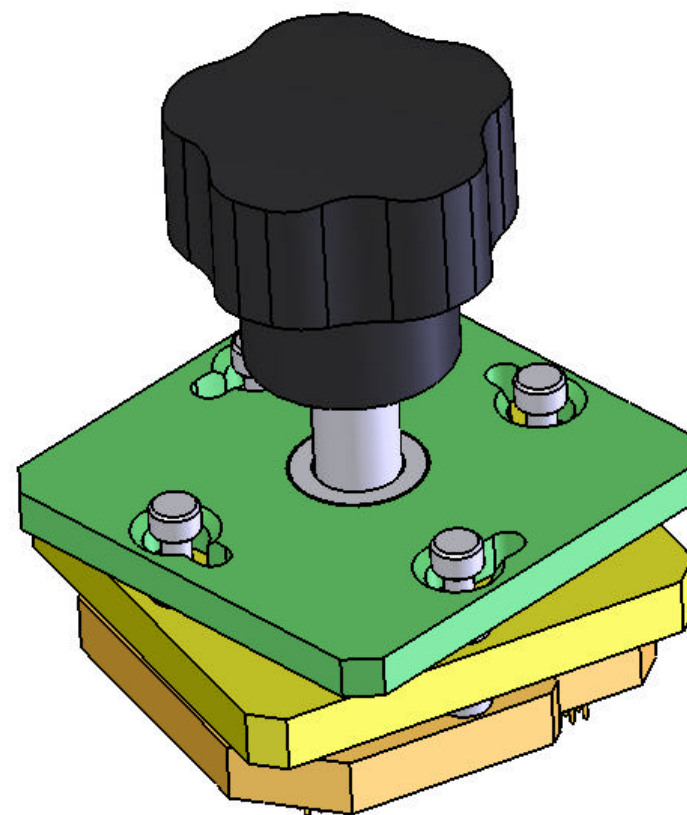
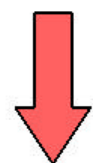


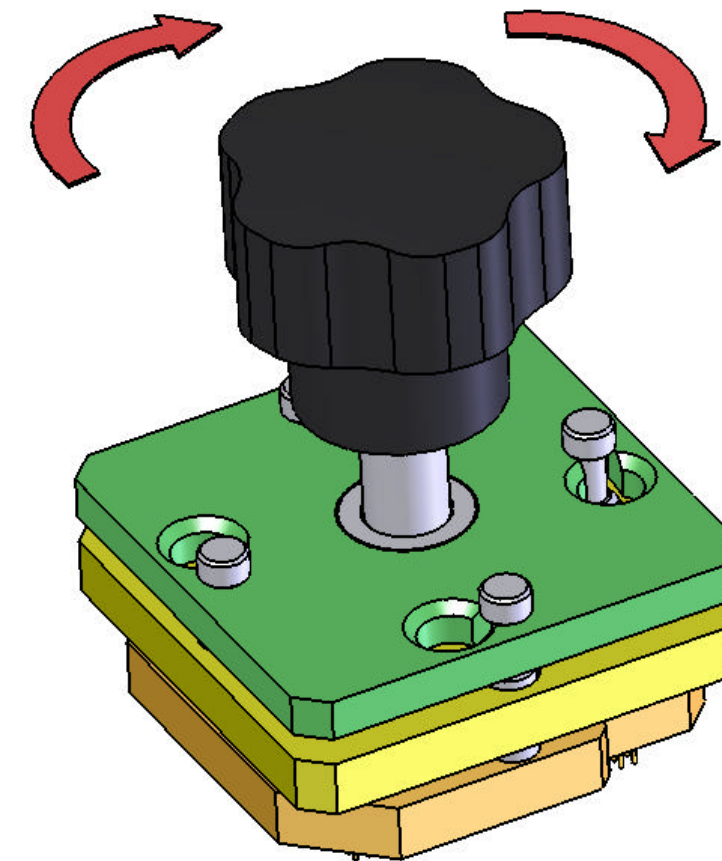
**Step 1**

Assemble the knob lock retainer onto the metal posts by turning the top plate by around 15°




**Step 2**

Close the top plate perpendicular to the socket base



**Step 3**

Turn the black knob clockwise until you feel a resistance

UNLESS OTHERWISE SPECIFIED: DIMENSIONS ARE IN MILLIMETERS SURFACE FINISH: GENERAL TOLERANCES: ± 0.10 LINEAR: ANGULAR:					Remark:					 <a href="http://www.e-tec.com">www.e-tec.com</a>	
<b>"top view drawing"</b>											
<b>Patented</b>					Visa	Date	Drawn by	Date	Visa	TITLE:	
DRAWN					FAI	10.05.05	FAI	10.05.05	Echelle: 2:1		A3H
CHK'D									DWG NO.		0
APPV'D					K.S	10.05.05			Fonctionnement		Revisor
MFG							MATERIAL:				
Q.A							WEIGHT:				
The information contained in this drawing is proprietary to Happ AG and shall not be reproduced or disclosed in whole or in part or used for any design or manufacture except where such user possesses direct, written authorization from Happ AG										SHEET 1 OF 1	