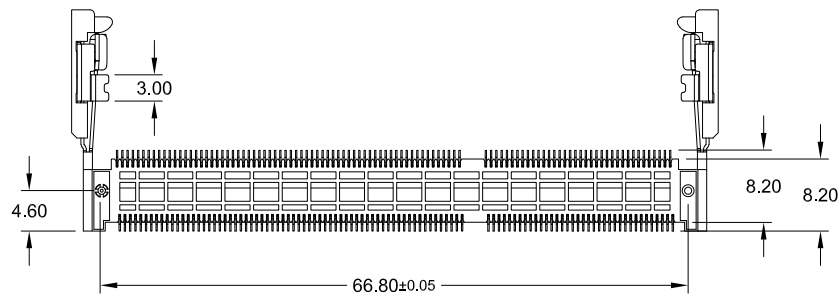
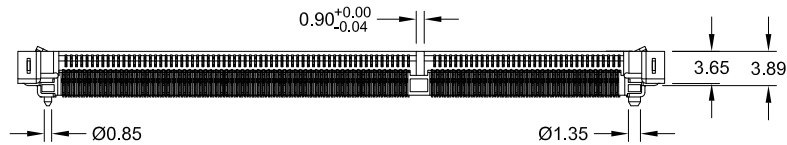
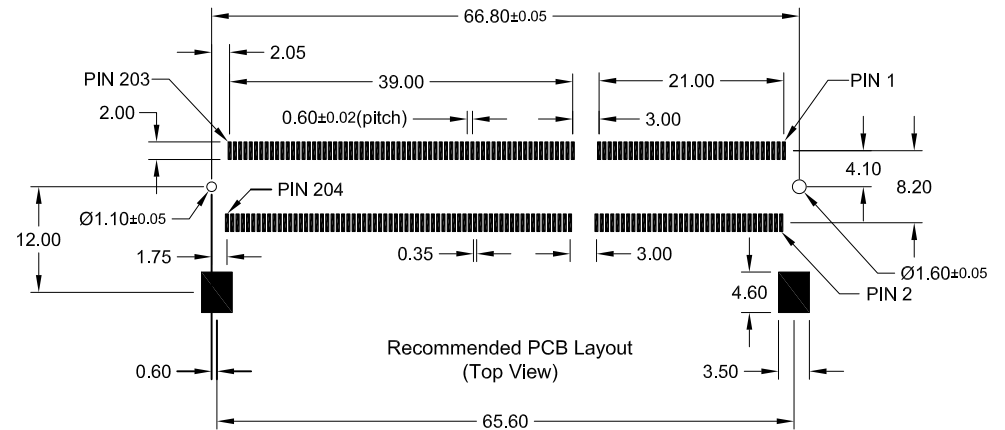
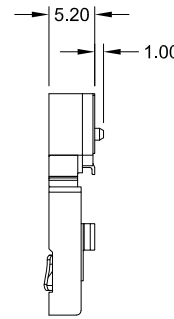
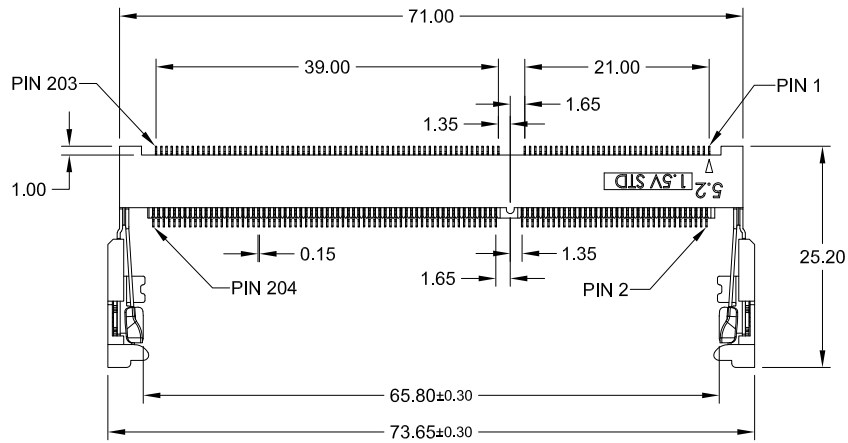


REV.	DESCRIPTION	DATE	DRAWN
A	New	01.02.2010	Lyndon
B	general update	30.07.2019	Ronny



**Order Code**  
DMD-204-RSF9-55/XX

Packing

/TR = Reel  
no suffix = Tray

**Specifications**

**Electrical**  
Current rating: 5A  
Insulation resistance: 500MΩ min. (initial)  
100MΩ min. (final)  
Contact resistance: 50mΩ max.  
Voltage rating: 50V AC

**Mechanical Requirements**  
Operating life: 25cycles min.



**Material**  
Contact: Copper Alloy  
Plating: Au flash over Ni  
Latch: Stainless Steel, Sn plated  
Insulator: LCP (black) UL 94V-0  
  
Operating temperature: -40°C to +85°C  
Processing temperature: +250°C +0/-5°C  
for 20 ~ 40 seconds

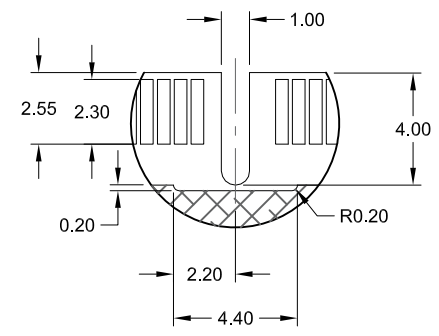
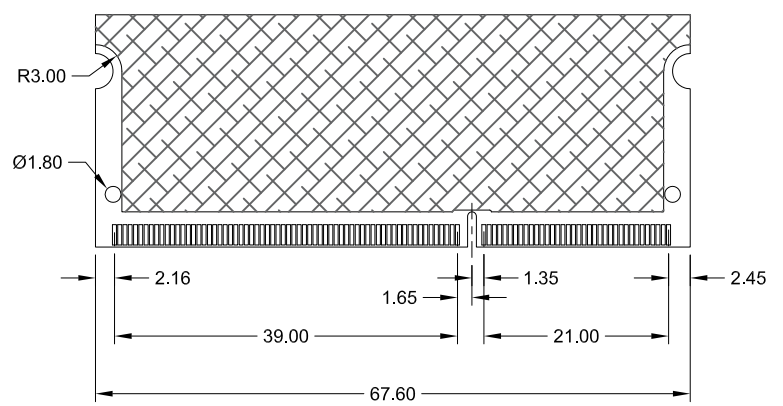
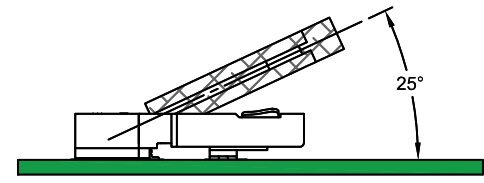
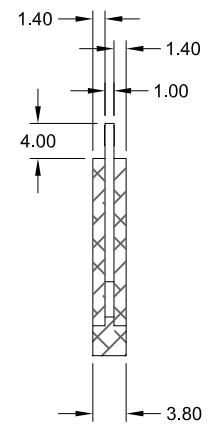
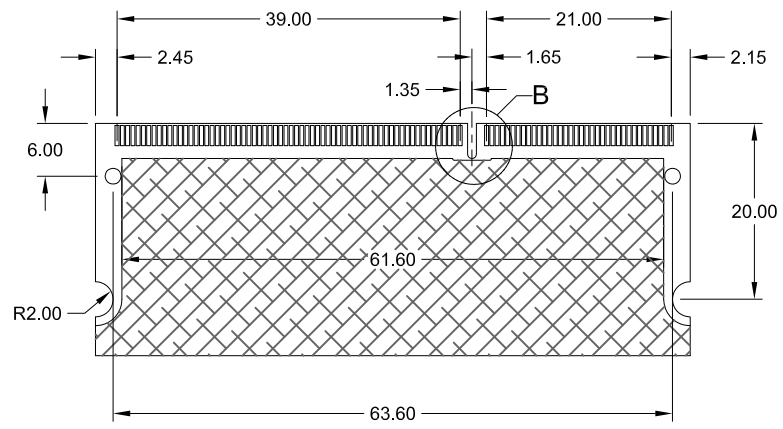
E-tec 2019 © - all rights reserved



UNIT mm	GENERAL TOLERANCE		DRAWN Lyndon	DATE 01.02.2010	DWG. NO. DMD-204-RSF9	SHEET 1/2					
	SCALE Free	X.° ±				X. ±	CHECK Ronny	DATE 30.07.2019	REV. B		
		.XX° ±				.XX ± 0.10			APPROVE Fagi	DATE 30.07.2019	SERIES NO. DMD-204-RSF9-xx/XX
		.XXX° ±				.XXX ±					

**SO-DIMM Socket**  
204 Contact **1.5V** Type  
**5.20mm high**  
**"standard type"**

REV.	DESCRIPTION	DATE	DRAWN
A	New	01.02.2010	Lyndon
B	general update	30.07.2019	Ronny



E-tec 2019 © - all rights reserved



UNIT mm	GENERAL TOLERANCE		DRAWN Lyndon	DATE 01.02.2010	DWG. NO. DMD-204-RSF9	SHEET 2/2				
	SCALE Free	X.° ±					X. ±	CHECK Ronny	DATE 30.07.2019	REV. B
		.XX° ±					.XX ± 0.10			
		.XXX° ±					.XXX ±			
		APPROVE Fagi	DATE 30.07.2019	SERIES NO. DMD-204-RSF9-xx/XX						

**SO-DIMM Modul**  
for **"standard type"** Socket  
**DMD-204-RSF9-55**