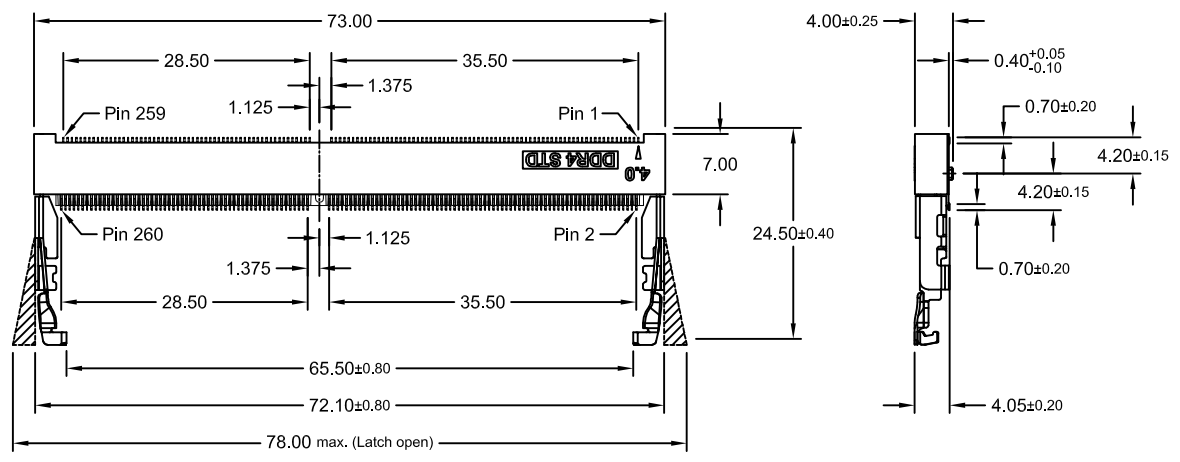
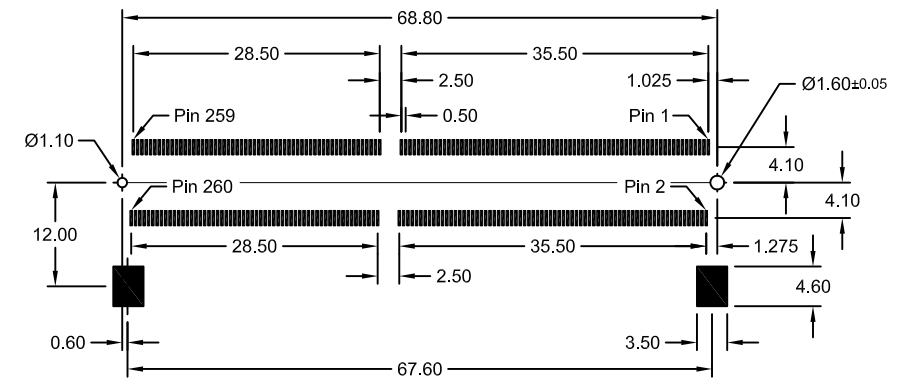


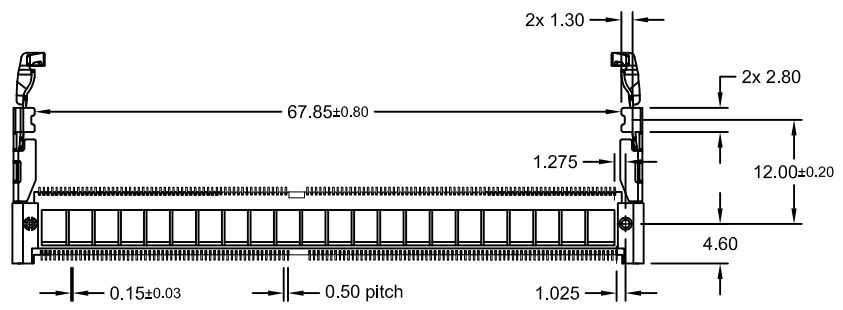
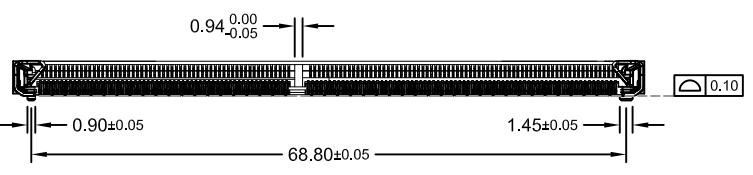
REV.	DESCRIPTION	DATE	DRAWN
A	New	10.05.2017	Ronny



Order Code
DMD-260-RLG9-55/TR



Recommended PCB Layout
(Top View)



Specifications

Electrical
 Current rating: 0,5A
 Insulation resistance: 500MΩ min.
 Contact resistance: 50mΩ max.
 Voltage rating: 25V AC / contact
 Withstanding voltage: 250V AC

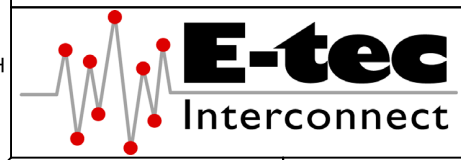
Material

Contact: Phosphor Bronze
 Plating: Au on solder, Au flash on contact area
 Latch: Stainless Steel; Matte Sn plated over Ni
 Insulator: LCP (black) UL 94V-0

Operating temperature: -40°C to +80°C
 Processing temperature: +250°C +0/-5°C
 for 20~40 seconds

Packing: Reel

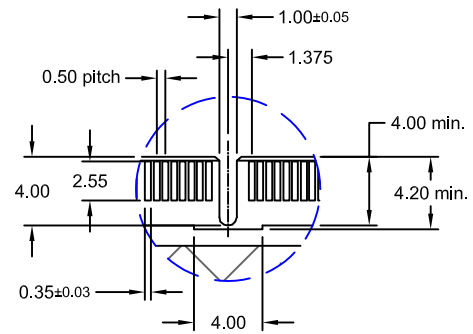
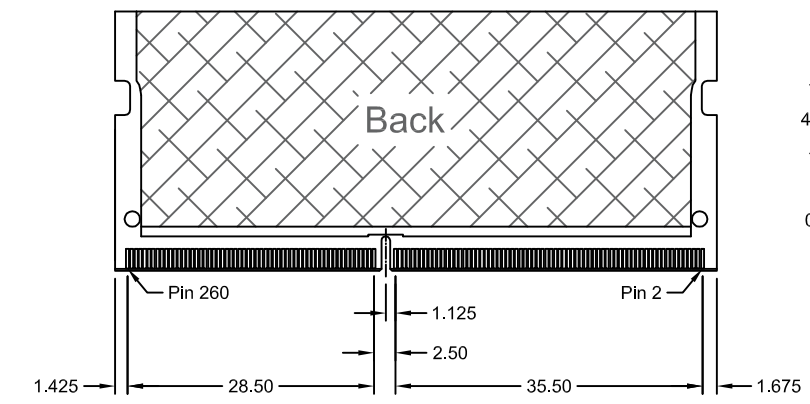
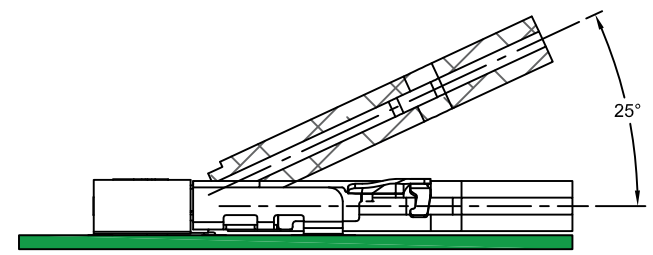
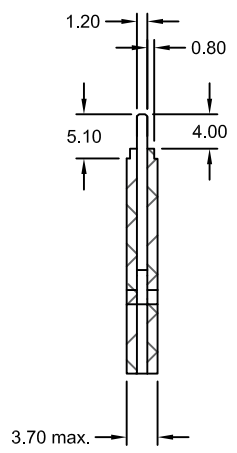
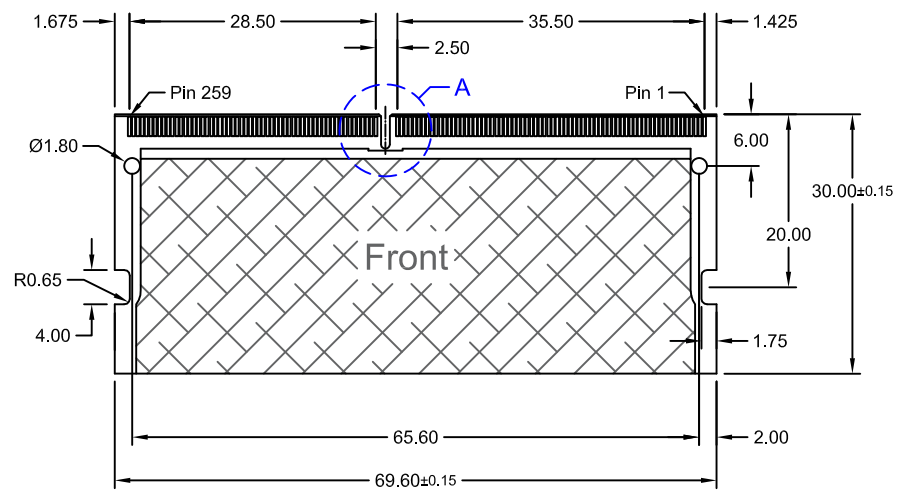
E-tec 2017 © - all rights reserved



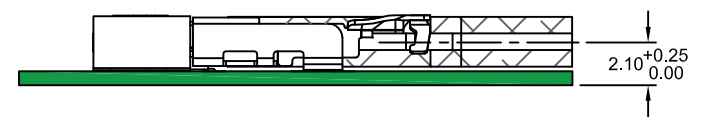
UNIT	mm	GENERAL TOLERANCE		DRAWN	Ronny	DATE	10.05.2017	DWG. NO.	SHEET 1/2
SCALE	Free	X.° ±	X. ±	CHECK	Hogi	DATE	10.05.2017	DMD-260-RLG9	REV. A
		.XX° ±	.XX ± 0.10	APPROVE	Hogi	DATE	10.05.2017	SERIES NO.	
		.XXX° ±	.XXX ± 0.05					DMD-260-RLG9-xx/XX	

DDR4 260 Contact Socket
 -SMT- 4.00mm high
1.2V "Standard Type"

REV.	DESCRIPTION	DATE	DRAWN
A	New	10.05.2017	Ronny



Detail A



E-tec 2017 © - all rights reserved



UNIT mm	GENERAL TOLERANCE		DRAWN Ronny	DATE 10.05.2017	DWG. NO. DMD-260-RLG9	SHEET 2/2	
	X.° ±	X. ±					
	SCALE Free	.X° ±	.X ±	CHECK Hogi	DATE 10.05.2017	SERIES NO. DMD-260-RLG9-xx/XX	REV. A
		.XX° ±	.XX ± 0.10				
	.XXX° ±	.XXX ± 0.05	APPROVE Hogi	DATE 10.05.2017			

DDR4 260 Contact Modul
for **1.2V "Standard Type"** Socket
DMD-260-RLG9-55/XX