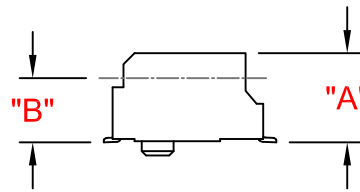
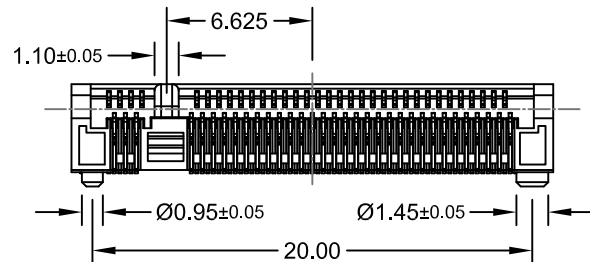
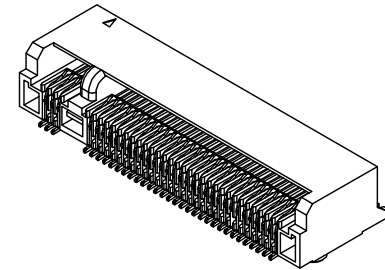
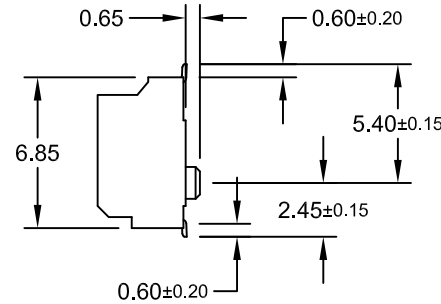
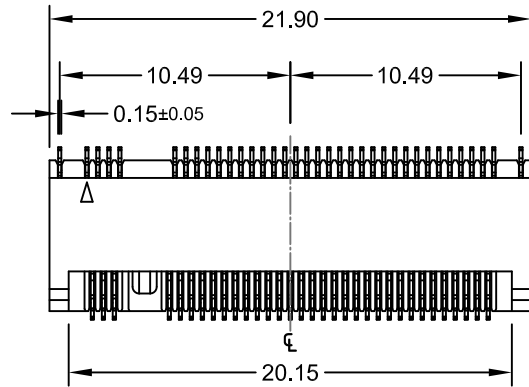


REV.	DESCRIPTION	DATE	DRAWN
A	New	05.11.2014	Ryan
B	general update	23.05.2018	Chery



**Order Code**  
MPE-075-RXA9-55/R

Dimension mm	Height	Option
"A"	"B"	E
3,05	1,50	E
4,05	2,50	L

**Material**

Contact: Copper Alloy  
Plating: Au flash over Ni  
Insulator: LCP (Black) UL 94V-0

Operating temperature: -40°C to +80°C  
Processing temperature: +255°C +0/-5°C  
for 10 seconds

**Mechanical Requirements**

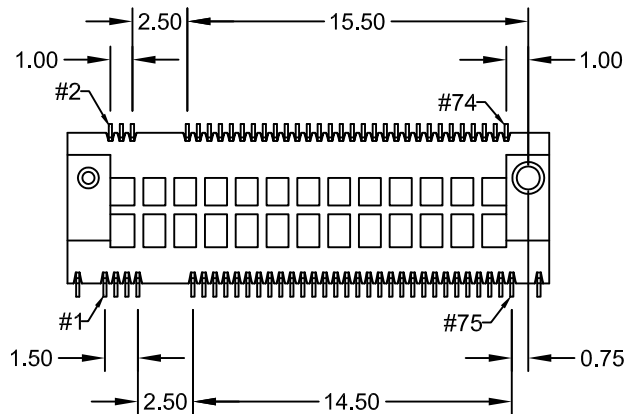
Lifetime: 50 cycles min.

**Packing:** Reel (others on request)

**Specifications**

**Electrical**

Current rating: 0.5A / Contact  
Insulation resistance: 500MΩ min.  
Contact resistance: 55mΩ max.  
Voltage rating: 35V AC  
Withstanding voltage: 300V AC rms / Minute



For the PCB layout we refer to page 2/2

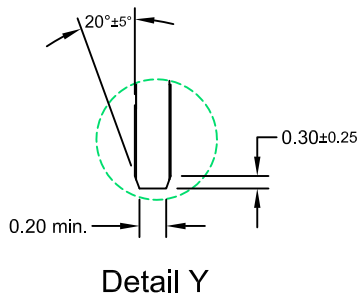
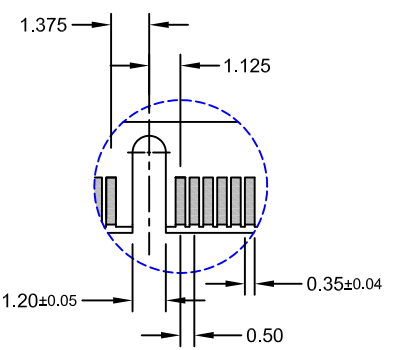
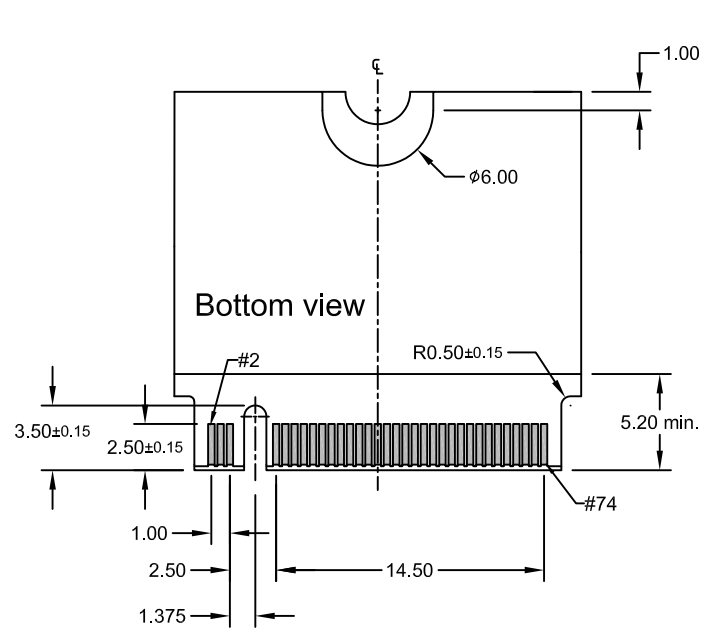
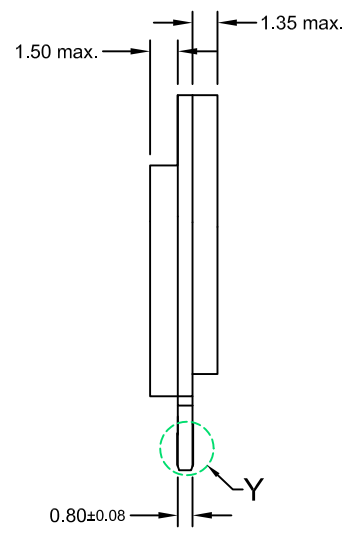
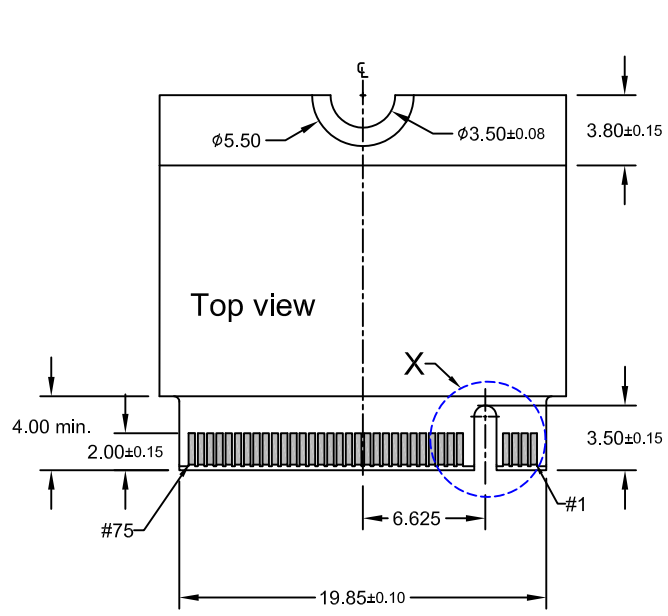
E-tec 2018 © - all rights reserved



UNIT	mm	GENERAL TOLERANCE		DRAWN	DATE	DWG. NO.	SHEET 1/2
SCALE	Free	X.° ±	X. ±	Ryan	05.11.2014	MPE-075-RA9	REV. B
		.X° ±	.X ±	Hogi	13.06.2018	SERIES NO.	
		.XX° ±	.XX ± 0.10	APPROVE	DATE	MPE-075-RXA9-xx/R	
		.XXX° ±	.XXX ±	Hogi	13.06.2018		

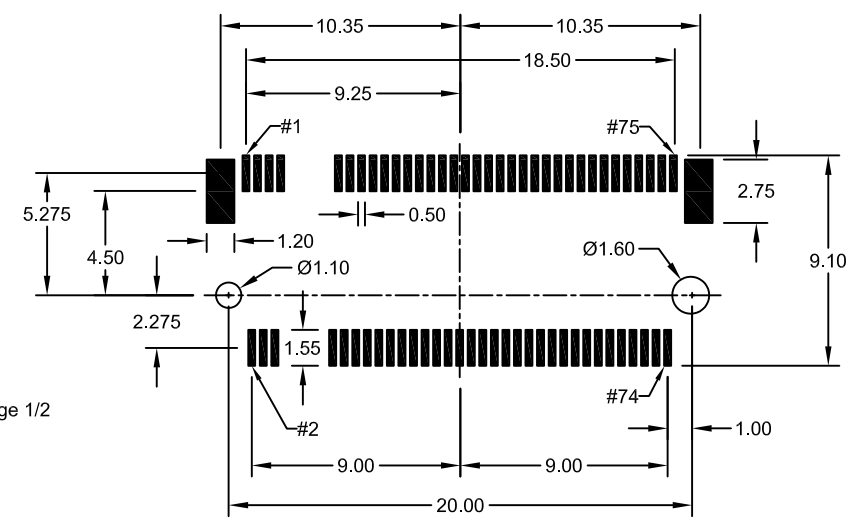
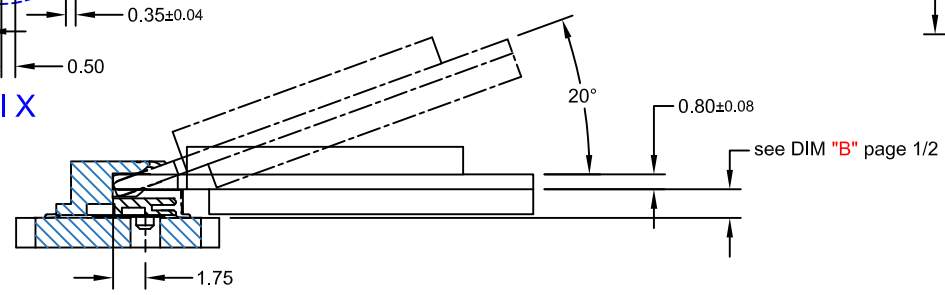
**Mini PCI Express Connector**  
M.2 (NGFF) "A" Key  
0.50mm pitch - 75 Contact Type

REV.	DESCRIPTION	DATE	DRAWN
A	New	05.11.2014	Ryan
B	general update	23.05.2018	Chery



Detail X

Detail Y



Recommended PCB Layout Top View  
(PCB TOLERANCE ±0.05)

E-tec 2018 © - all rights reserved



UNIT	mm
SCALE	Free

GENERAL TOLERANCE	
X.° ±	X. ±
.XX° ±	.X ±
.XX° ±	.XX ± 0.10
.XXX° ±	.XXX ±

DRAWN	Ryan	DATE	05.11.2014
CHECK	Hogi	DATE	13.06.2018
APPROVE	Hogi	DATE	13.06.2018

DWG. NO.	MPE-075-RA9	SHEET	2/2
SERIES NO.	MPE-075-RXA9-xx/R	REV.	B

**Recommended Module Design & PCB Layout**  
for Mini PCI Express Connector M.2 (NGFF)  
0.50mm pitch 75 Contact "A" Key Type